

# UTS SALES AND REPAIRS

## A SAFER WAY TO REACH NEW HEIGHTS

### UTS Industrial Deck

Instruction/Safety Manual Self Closing Mobile 1 Person Low Level Working Platform

Maximum safety working load 150Kg

For more information, please contact us via:

Phone: 01227 860085

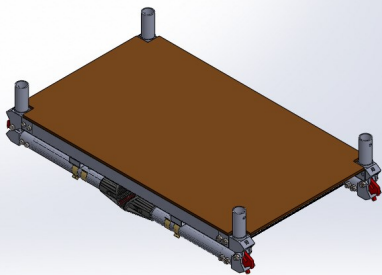
Email: [info@towersandpodiums.co.uk](mailto:info@towersandpodiums.co.uk)

Website: [www.towersandpodiums.co.uk](http://www.towersandpodiums.co.uk)

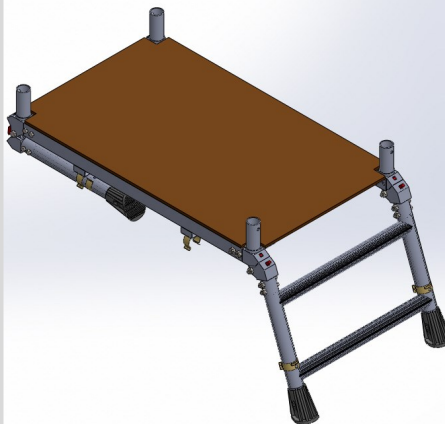
**Always** carry out a risk assessment for each task before you start work, to ensure UTS Deck is the correct mode of access for the task that is being undertaken.



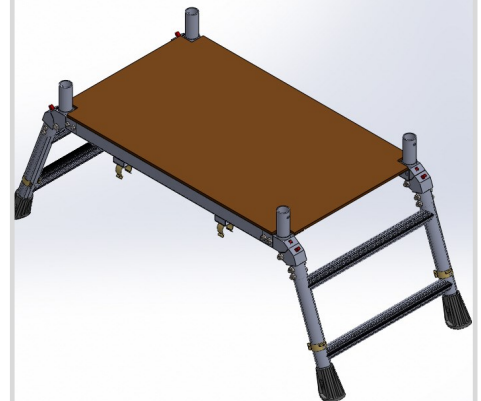
1. With deck closed, lift into position on a flat level surface.



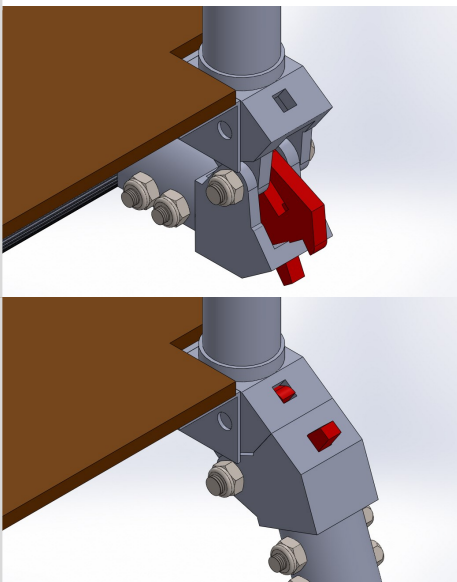
2. Unfold ladder legs one side at a time.



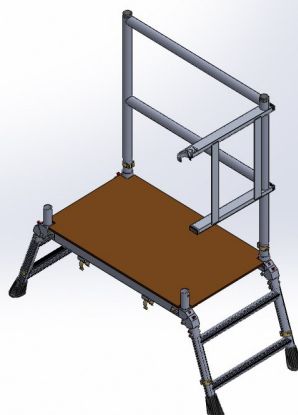
3. Unfold ladder legs one side at a time.



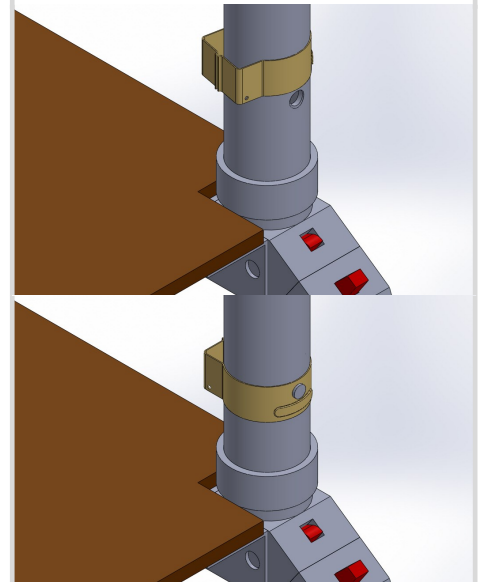
4. Ensure the locking hinge has engaged at the top of each leg



5. Place side rail verts onto the spigots from the base



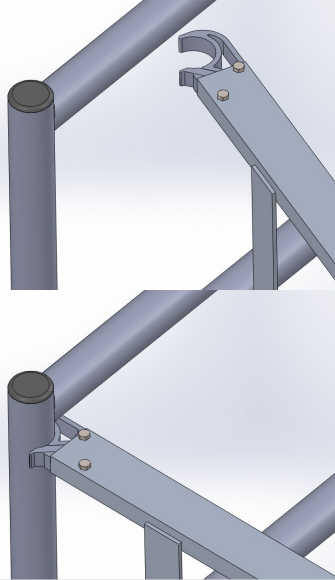
6. Rotate frame clip and use to secure side to platform.



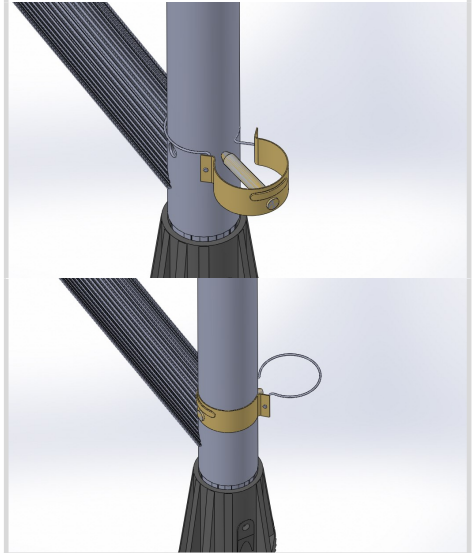
7. Repeat for second side rail



8. Close gate with firm push to lock into place



9. Adjust length by removing clip on both legs, move to new position and re-insert clip to secure.



10. Lowest Platform height 550mm



11. Medium Platform height 630mm



12. Tallest Platform height 700mm



**Component List:**

- 1 x Deck
- 2 x Deck Rail

All replacements can be purchased directly from UTS Sales and Repairs

Unit 1A  
 Canterbury Industrial Park  
 Island road  
 Hersden  
 Kent  
 CT3 4HQ  
 01227 860085  
[www.towersandpodiums.co.uk](http://www.towersandpodiums.co.uk)



Read the instructions



Do not use on loose or slippery surfaces



Do not overreach



Never stand on the access ladder to work



Inspect before use



Do not use damaged equipment



Never use as a means of access to another place



Beware of finger traps where these potentially exist

